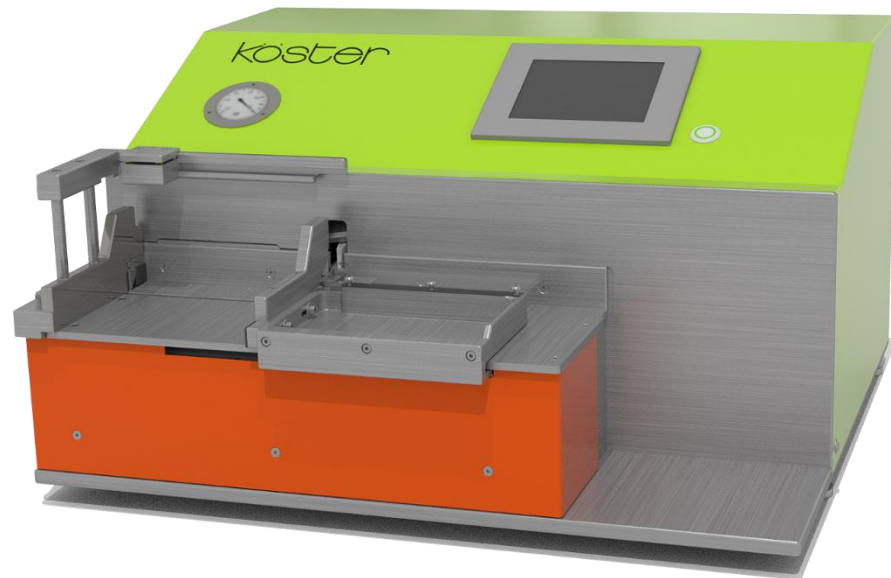


# HPC – HIGH PERFORMANCE COUNTING

## B03 Desktop Counting Machine



## Features

### The Machine

- Ergonomic single head table top counting machine
- Plug & Play commissioning
- No external compressed air supply required
- No external components required
- Standard voltage supply 240 VAC ~50 Hz.

### The Advantages

- High efficiency - Increased productivity through simple operation
- High accuracy - 99%
- High flexibility - Range from 35 - 150 g/m<sup>2</sup>
- High durability - Solid, high quality construction
- High cost effectiveness - Low maintenance costs

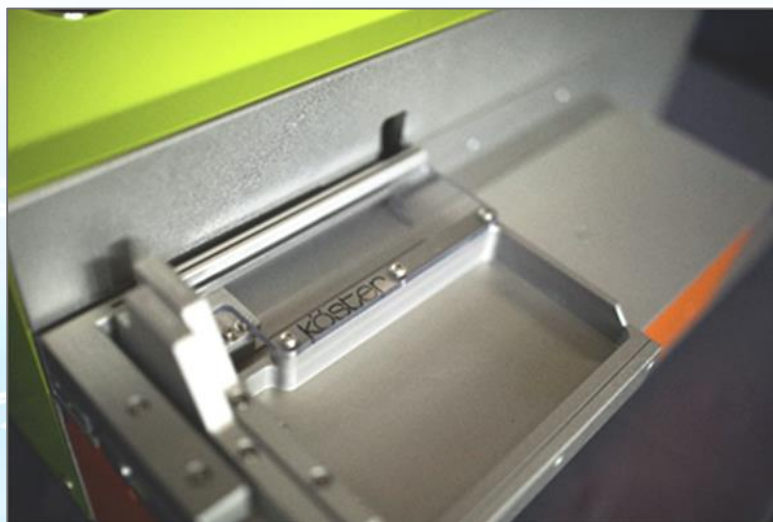
### The Formats

Bundled or loose formats from 9 x 32 mm and sensitive products such as:

- Banknotes
- Postage stamps
- Tax stamps
- And much more

### The Operation

- Standing counting position of the counting disc
- Best ergonomics for the operator
- Precise and fast product handling
- No adapters required
- User-friendly HMI interface with single-sided user interface



### The Precision

- Concentricity and axial runout of the counting disc <math><0.025\text{mm}</math>
- Smooth running and safe counting signals at any speed

### The Flexibility

All types of substrates used in the global security printing industry can be processed with the highest speed and accuracy:

- Cotton based products
- Coated products
- Hybrid products
- Laminated products
- And much more

### The Technology

Gentle disc design allows counting of critical zones such as:

- Security thread
- Applications
- Codes
- Intaglio printing
- And much more

### The Drive

- Fast - 2,000 RPM for up to 200 sheets / second
- Powerful - Torque at any speed
- Controllable - Accurate stopping on last count and exact batching



### The Machine Design

- Maintenance access is from the top of the machine by opening the machine housing.
- All installed components are high-quality products from global manufacturers, most of which are available from stock.
- The non-sophisticated machine design ensures easy maintenance and low maintenance costs as well as maximum machine availability.
- Machine's high performance and availability results from the robust and precise construction out of steel and aluminum.

### The Equipment

Wide range of integrated features in the standard version:

- Comparing:  
The results are compared with the preset value, if they do not match, the number is shown in red.
- Batching:  
A pre-selected number of sheets can be easily batched to form a layer. The counting disc is used for separation to provide a gap for the operator to easily separate the layers.
- Firmware or Program Update:  
Firmware or program version updates are easily carried out using an USB memory stick.

### The Options

- Separation knife to improve gap visibility for checking the bundle quantity within a product stack. Not compatible with the processing of tax and postage stamps
- 24 months warranty extension excluding wear parts.
- EPSON® Label Printer.

# B03

## Technical Specifications

<b>Dimensions</b>	<b>L</b>	<b>W</b>	<b>H</b>		
Overall (mm):	630	585	345		
Slide stroke (mm):	160				
<b>Weight</b>					
Machine weight (kg):	65				
<b>Working Height</b>					
Working height (mm):	Depending on the table or base used				
<b>Supplies</b>					
Electrical connection:	Single phase 240 VAC ~50Hz / IEC C14 socket plug & play				
Compressed air:	Not required				
<b>Format Sizes</b>	<b>L</b>	<b>W</b>	<b>H</b>		
Min. layer height (mm):			5		
Max. layer height (mm):			150		
Min. format size (mm):	9	32			
Max. format size (mm):	85	180			
<b>Separation Knife</b> (optional)	<b>L</b>	<b>W</b>			
Min. format size (mm):	55	100			
Minimum sheets between separation (pcs.):	1				
<b>Counting Technology</b>					
Counting method:	Disc				
Counting direction:	Left to right				
<b>Counting Discs</b>	<b>Min.</b>	<b>Max.</b>	<b>Type</b>	<b>Position</b>	<b>Default</b>
GSM (g/m <sup>2</sup> ):	35	70	C1	Corner	Tax stamps
GSM (g/m <sup>2</sup> ):	35	150	C2	Corner	Notes
Depending on the stiffness and quality of the products, these values may deviate during processing.					

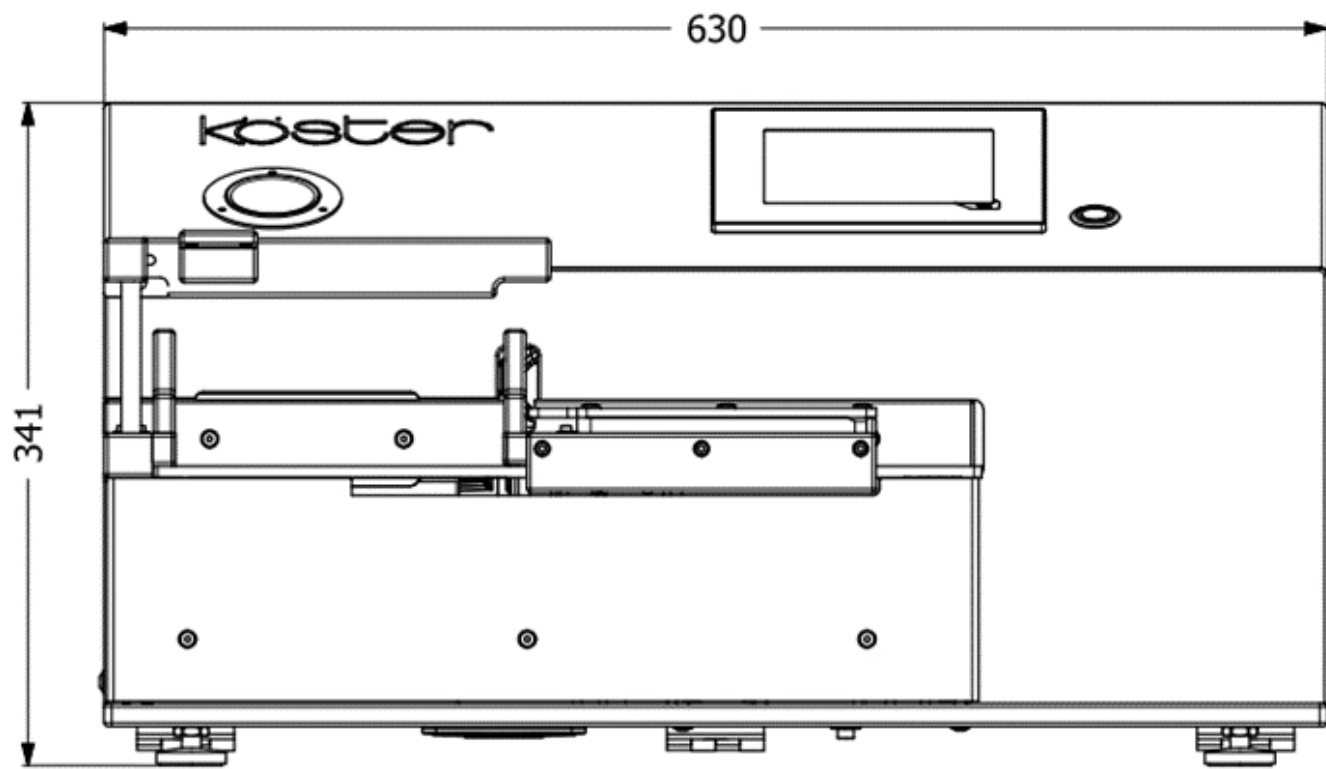
# B03

## Technical Specifications

<b>Counting Speed</b>	<b>RPM</b>	<b>Type</b>	<b>Segments</b>	<b>Sheets/Min.</b>	<b>Sheets/Sec.</b>
Rated RPM:	2.000	C1	6	12.000	200
Rated RPM:	2.000	C2	6	12.000	200
Depending on the stiffness and quality of the products, these values may deviate during processing.					
<b>Processable Substrates</b>					
Currency Industry:	Currency and documents paper, coated or uncoated, polymers, hybrids and much more.				
Consumer Industry:	Consumer paper, coated or uncoated, laminated, plastics, polymers and much more.				
<b>PLC Control</b>					
Brand:	B&R				
Touchscreen:	5,7" colored multilingual, main HMI with pictograms				
Interfaces:	FTP (Client / Server)/USB/MQTT (TCP / IP)/OPC UA/Profinet/Profibus/Ethernet-IP/ Device Net / CAN-Bus / CAN-Open / EtherCat / X2X Link Powerlink / Modbus TCP /				
<b>Operating Noise</b>					
Max. dB(A) at 2000 RPM:	78				
<b>Environmental Conditions</b>	<b>Min.</b>	<b>Max.</b>			
Recommended temperature range (+°C):	15	35			
Recommended relative humidity range (%):	35	45			
<b>Certification</b>					
CE Certificate:	Complies with all applicable European standards.				

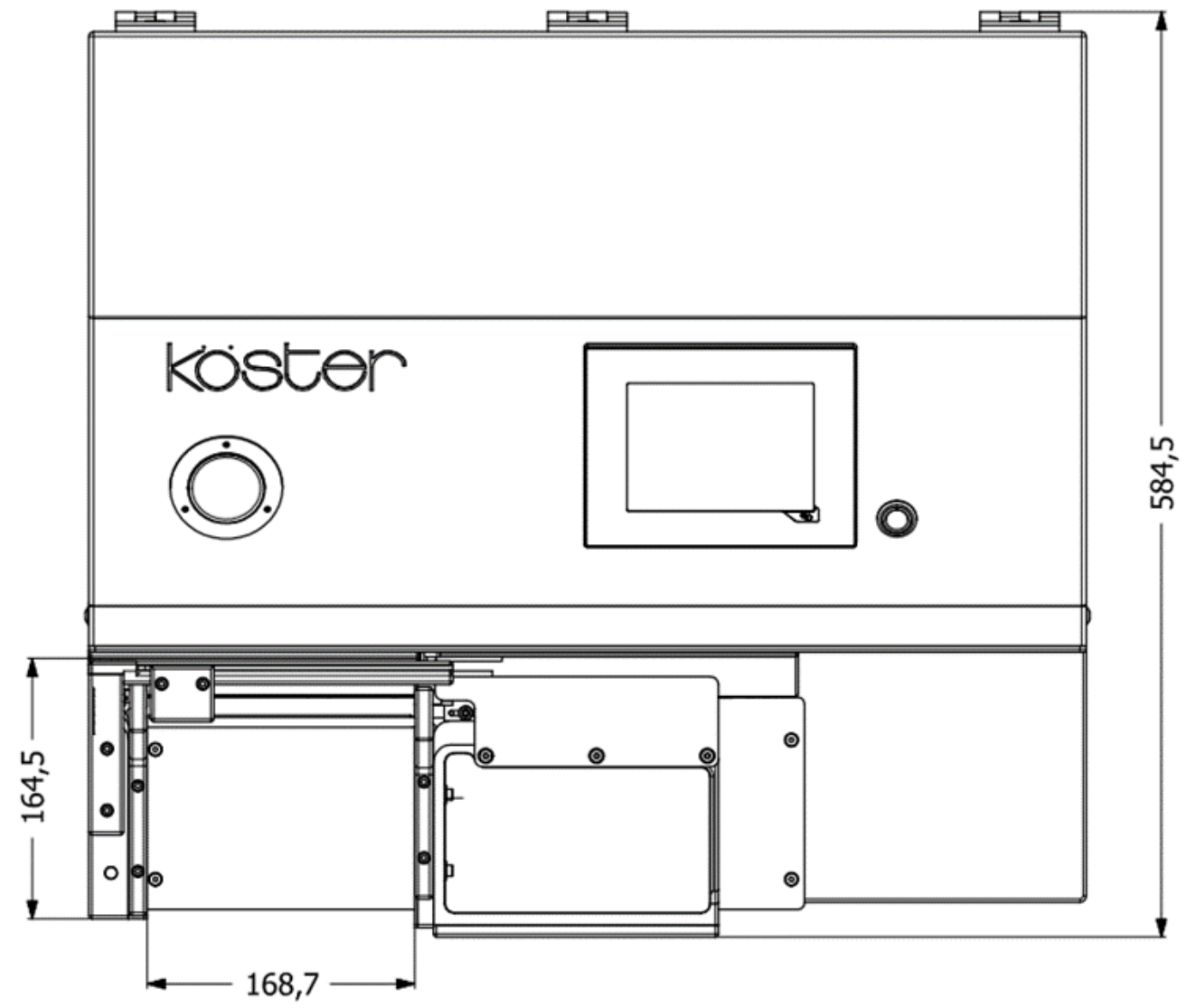
# B03

## Machine Layout



# B03

## Machine Layout



## Counting Discs – Since 1991



## HPC – HIGH PERFORMANCE COUNTING

### Basic Information

#### Counting Discs:

- The details of the GSM values are based on experience and tests. Depending on the product rigidity, these values may differ.
- Older produced counting discs for corner position are designated by 1xx,x for the diameter in "mm" and / or "V8 - V15" depending on the type.
- Newly produced counting discs for corner position are designated by "C1-Cx" depending on the type.
- Newly produced counting discs for edge position are designated by "S1-Sx" depending on the type.
- Warranty for the lifetime of the counting discs is not granted as the abrasive wear depends highly to the processed product.

#### Counting Machines:

- Maximum counting speed refers generally to the rated maximum rpm value and the machine design.
- It is not granted that maximum speed can be attended using all kind of substrates / materials.
- Warranty time 12 months upon issuing of the acceptance certificate.
- Warranty extension 24 months optionally available.
- Warranty coverage except wear parts.

**Köster**  
Maschinen- und Werkzeugbau

**Made in Germany –  
Made for the world**